



FREEZER

W, CS and CSW ice cream Freezers

Soren offers a wide range of continuous freezers with capacities that go from 20 l/h to 2300 l/h (5,2 us gph to 605,2 us gph) of ice cream. All Soren Freezers are designed either for a self contained stand-alone freon refrigeration unit or for freon/NH3 system to be connected with central refrigeration plant.



Dasher choices

Soren offers a choice of two dashers, suited to all varieties of ice cream:

- **stiff and dry** for extruded products,
- **smooth** for cups and cones,
- **soft and flowable** for mold products.

Type 30 Open Dasher standard

Suitable for most frozen desserts. Displaces approximately 30% of the cylinder volume.



Type 80 Solid Dasher Optional

For applications requiring stiffer, dryer appearing ice cream. Displaces 80% of the cylinder volume, resulting in rapid development of small and uniform ice crystals.



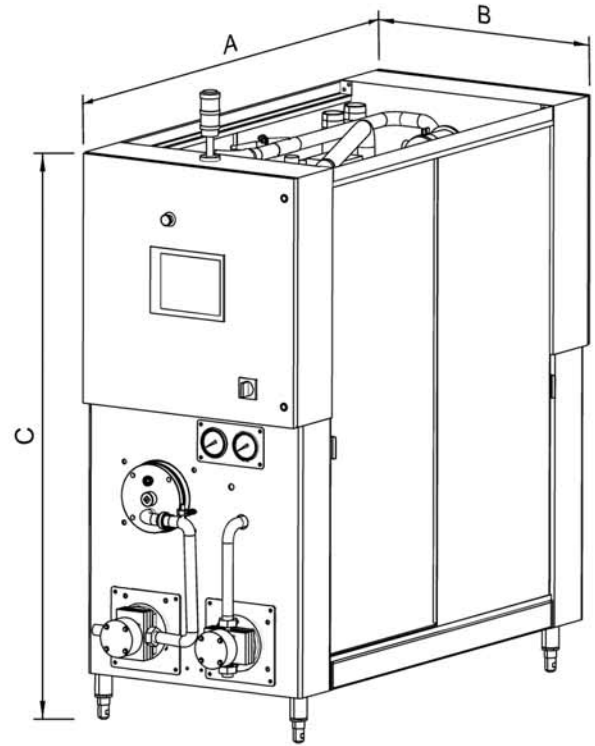
Standard feature for all models

- All AISI 304 stainless steel frame with sliding doors
- Chrome plated nickel cylinder, polished to mirror finish (except W 600 and W 800)
- Dasher type 30 (open)
- St. steel scraper blades
- Mix & ice cream pumps: rotary type powered with variable speed motor drive

- Self-contained refrigeration unit:
 - Freon compressor
 - Water condenser
 - full flooded refrigeration system
 - back pressure valve for evaporation pressure control
 - evaporator made of St. steel

MODEL	DIMENSIONS			CAPACITY*	
	A	B	C	MIN	MAX
W 600	1545	900	2070	150	600
W 800	1780	900	2070	200	800
CS 100	1290	750	1910	20	100
CS 200	1290	750	1910	40	200
CS 400	1360	900	2060	80	400
CS 800	1750	900	2060	140	780
CS 1200	1990	900	2060	200	1200
CS 1500	2410	900	2060	300	1500
CSW 2000	2540	1000	2155	400	2000
CSW 2300	2540	1000	2155	500	2300

*The ice cream outlet capacities will depend upon mix formulation, outlet temperatures and others factors. Capacities are based on 100% overrun.



Control system:

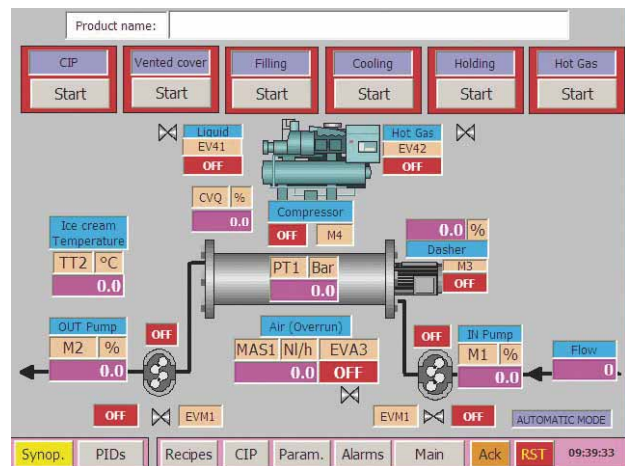
Each individual freezing cylinder is equipped with fully automatic user-friendly control design including a TFT colour touch-screen, operator work-station, and a (PLC) Programmable Logic Controller for automatic control of the following freezer functions (Siemens PLC as standard).

- Capacity
- Overrun with air mass flow meter
- Viscosity
- Temperature
- Cylinder pressure



Display on:

- Ice cream temperature
- Mix flow rate
- Air flow
- Alarm and control set points
- PID loop tuning
- Cip steps
- Automatic start-up
- Diagnostics



Control and power panels PLC containing:

- main switch
- PLC TFT colour touch - screen
- motor starters for all motors
- motor overload protections
- emergency switch

Optional features and equipment:

- Ammonia or Freon refrigeration system, designed for the connection with central refrigeration plant.
- Dasher type 80 (solid) instead of 30 (open)
- Dasher speed regulator
- Remote air condense system

www.soren.it

SOREN srl – Via Pacinotti, 29 – 20094 Corsico (Mi) Italy
Telefono +39 02 45177.1 – Fax +39 02 45177.340 – soren@soren.it – www.soren.it



 **SOREN** Equipment
and Food
Technologies